

**SH MS05FS**

# MULTIFUNCTIONAL MOVABLE STAND

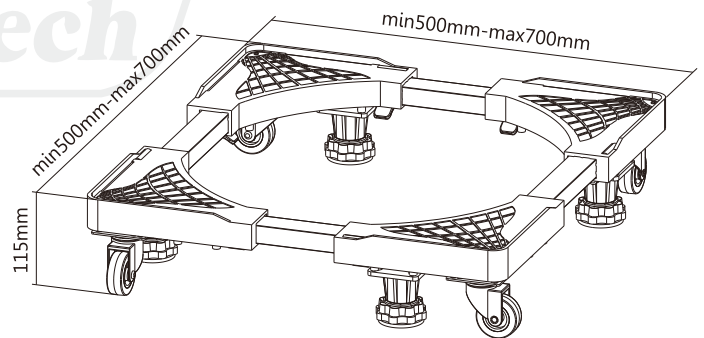
SPECIAL FOR WASHING MACHINE AND REFRIGERATOR



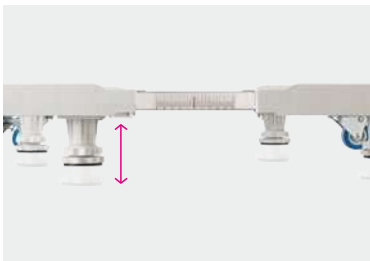
**Multi-Functional Design makes appliances flexible and protected in no time**



Weight Capacity  
**250kg/550lbs**



**Width Adjustment**  
fits a variety of  
appliance sizes and  
shapes.



**Leveling Feet**  
for a stable foundation  
on uneven surfaces.



**Rubber Pads**  
prevent scratches  
to flooring.